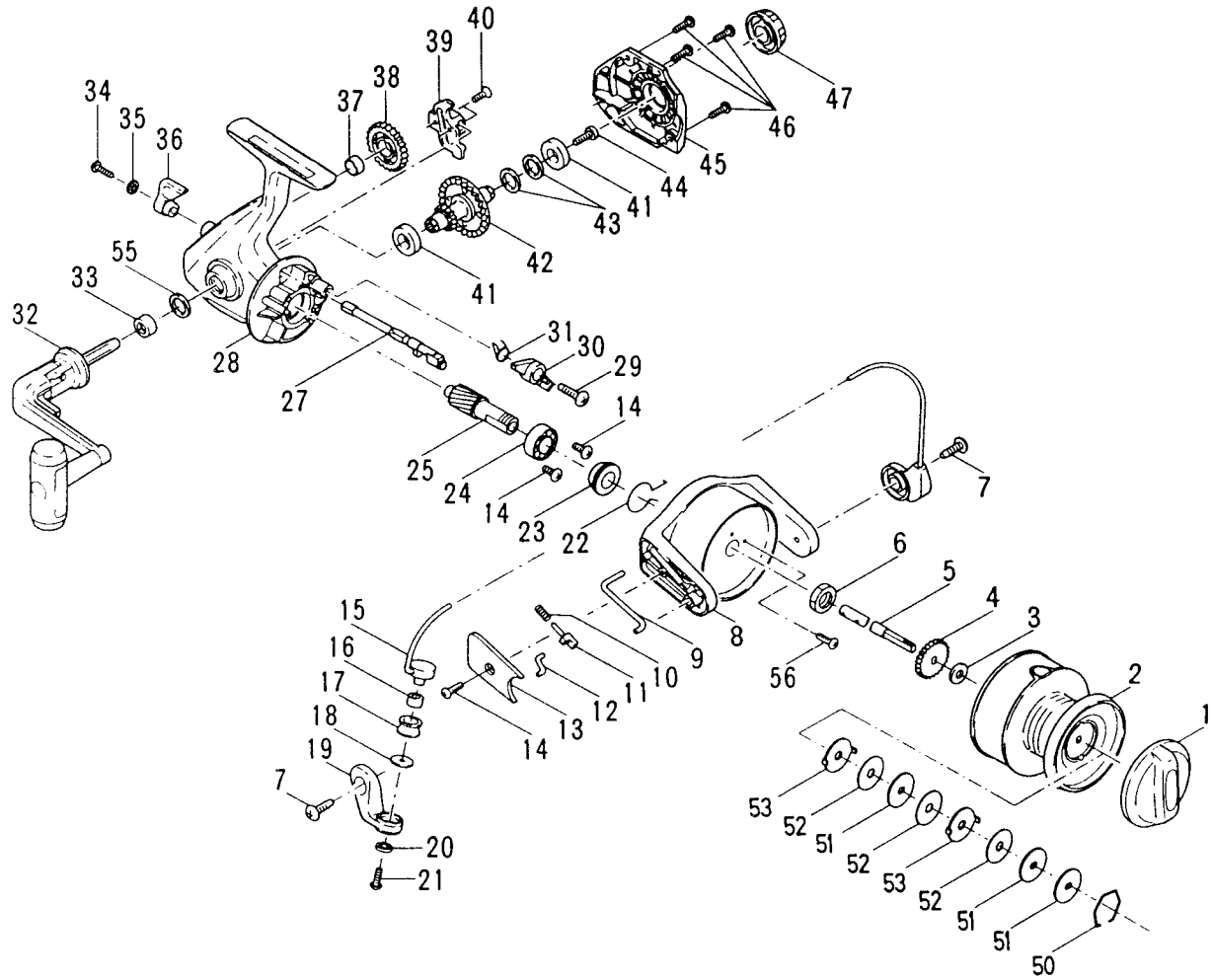




PARTS AND PRICE LIST FOR MODEL 3000



Key No.	Part No.	Description	Price	Key No.	Part No.	Description	Price
1	052 3000	Drag Knob Asm. w/Spring	\$5.75	30	004 3000	Anti-Reverse Dog	\$.90
2	047 3000	Spool Assembly	16.00	31	004A3000	Dog Spring	.95
3	060 3000	Thrust Washer	.50	32	015 3000	Handle Assembly	13.00
4	040B3000	Click Ratchet	.80	33	015A3000	Handle Spacer	.50
5	039 3000	Spool Shaft	4.60	34	006F3000	Eccentric Lever Mtg. Screw	.45
6	038 3000	Rotor Nut	.50	35	006G3000	Thrust Washer	.45
7	031A3000	Arm Screws (2 req.)	.50	36	006E3000	Eccentric Lever	.55
8	027 3000	Rotor Cup	10.00	37	231A3000	Crosswind Gear Bushing	.50
9	028A3000	Cam Lever	1.25	38	231 3000	Crosswind Gear	1.25
10	034C3000	Pivot Spring	.50	39	043 3000	Crosswind Gear Block	1.15
11	034B1000	Pivot Shaft	.50	40	044 1500	Screw	.45
12	034A3000	Pivot Arm	.50	41	002A2000	Cover & Housing Bushings (2 req.)	1.05
13	027A3000	Bail Pivot Cover	2.25	42	008 3000	Main Gear	4.75
14	022 875	Screws (3 req.)	.50	43	008A3000	Main Gear Shim	.40
15	024 3000	Bail Wire Assembly	7.75	44	009A3000	Standard Drive Screw	.90
16	035A3000	Line Roller Bushing	.90	45	045 3000	Housing Cover	5.75
17	035 3000	Line Roller	2.35	46	046 1000	Cover Screws (4 req.)	.45
18	132 3000	Roller Washer	.80	47	233 3000	Bearing Cover	2.25
19	034 3000	Bail Arm	2.50	**	**048 2000	Spool Click Tongue	.50
20	022A875	Washer	.50	**	**022 1000	Click Tongue Screw	.50
21	036 1000	Bail Stud Screw	.50	50	051 3000	Drag Retaining Ring	.50
22	230 3000	Silent Dog Spring	.50	51	057 3000	Keyed Drag Washers (3 req.)	.65
23	019A3000	Pinion Spacer	1.00	52	006 3000	Teflon Drag Washers (3 req.)	.65
24	020 3000	Bail Bearing	7.75	53	058 3000	Ear Drag Washers (2 req.)	.65
25	019 3000	Pinion Gear	4.50	**	**040C4000	Click Washer	.45
27	006A3000	Eccentric Shaft	2.40	55	017 4000	Handle Washer	.50
28	001 3000	Housing	13.00	56	305 875	Rotor Nut Locking Screw	.40
29	003 3000	Dog Mounting Screw	.75				